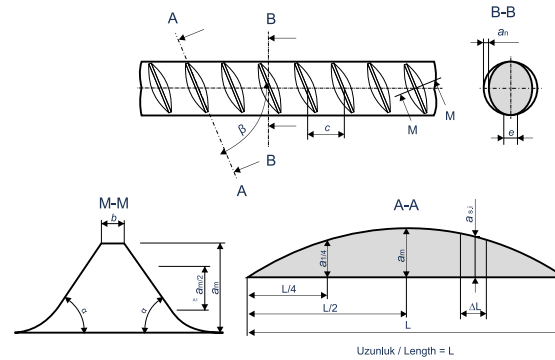


# Rebar - Reinforcing Steels of Concrete

Dimension Standart  
TS 708

Quality Standart TS  
708



## Rib Dimension and Tolerance

Rib Diameter (d)	Longitudinal Rib Height Max.	Latitudinal Rib Height (h)	Latitudinal Rib Space (c)	Latitudinal Rib Inclination Space (β)
12	1,80	0,36-1,80	4,8-14,4	35°-75°
14	2,10	0,42-2,10	5,6-16,8	35°-75°
16	2,40	0,48-2,40	6,4-19,2	35°-75°
18	2,70	0,54-2,70	7,2-21,6	35°-75°
20	3,00	0,60-3,00	8,0-24,0	35°-75°
22	3,30	0,66-3,30	8,8-26,4	35°-75°
25	3,75	0,75-3,75	10,0-30,0	35°-75°
26	3,90	0,78-3,90	10,4-31,2	35°-75°
28	4,20	0,84-4,20	11,2-33,6	35°-75°
30	4,50	0,90-4,50	12,0-36,0	35°-75°
32	4,80	0,96-4,80	12,8-38,4	35°-75°
34	5,10	1,02-5,10	13,6-40,8	35°-75°
36	5,40	1,08-5,40	14,4-43,2	35°-75°
38	5,70	1,14-5,70	15,2-45,6	35°-75°
40	6,00	1,20-6,00	16,8-48,0	35°-75°

# Rebar - Reinforcing Steels of Concrete

## Mechanical Specifications

Type	Ribbed			
	B420B	B420C	B500B	B500C
Class	B420B	B420C	B500B	B500C
Yield Strength Re (N/mm <sup>2</sup> ) (Min.)	420	420	500	500
Tensile Strength Rm (N/mm <sup>2</sup> ) (Min.)	-	-	-	-
Rm / Re	min. 1,08	≥1,15 ≤1,35	min.1,08	≥1,15 ≤1,35
React./Renom. (Max)	-	1,30	-	1,30
Elongation (Min) A <sub>5</sub> (%)	12	12	12	12
Max. Load Total Elongation (Min.) Agt(%)	5	7,5	5	7,5

## Product Hot Marking

**X** : TSE 708-2016 Standard Requirement

**9** : Country Code (Turkey)

**G** : G Conformity Certificate Sign

**1** : Our Company Code (\*)

It is the code given by the Certification Body to our company. Since we are the first company in our country that has the certificate of G conformity, we are given the number 1.

## Nominal Diameter and Weight Tolerance

Nominal Diameter (d)	Nominal Weight (g/m)	Section Area (mm <sup>2</sup> )
12	0,888	113,0
14	1,210	154,0
16	1,580	201,0
18	2,000	254,4
20	2,470	314,0
22	2,985	380,0
25	3,850	491,0
26	4,168	531,0
28	4,830	616,0
30	5,550	706,5
32	6,310	804,0
34	7,124	907,5
36	7,986	1017,4
38	8,898	1133,5
40	9,860	1256,0

